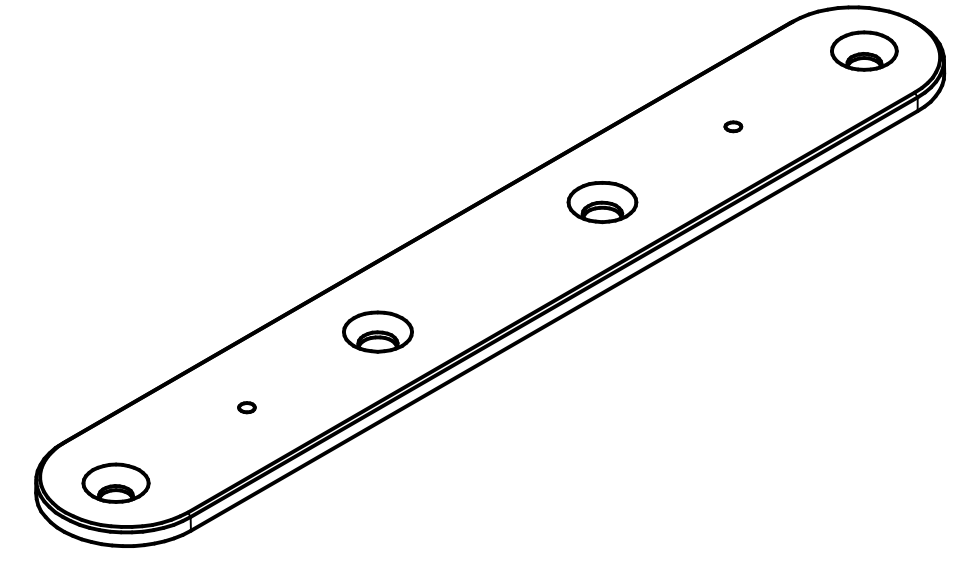
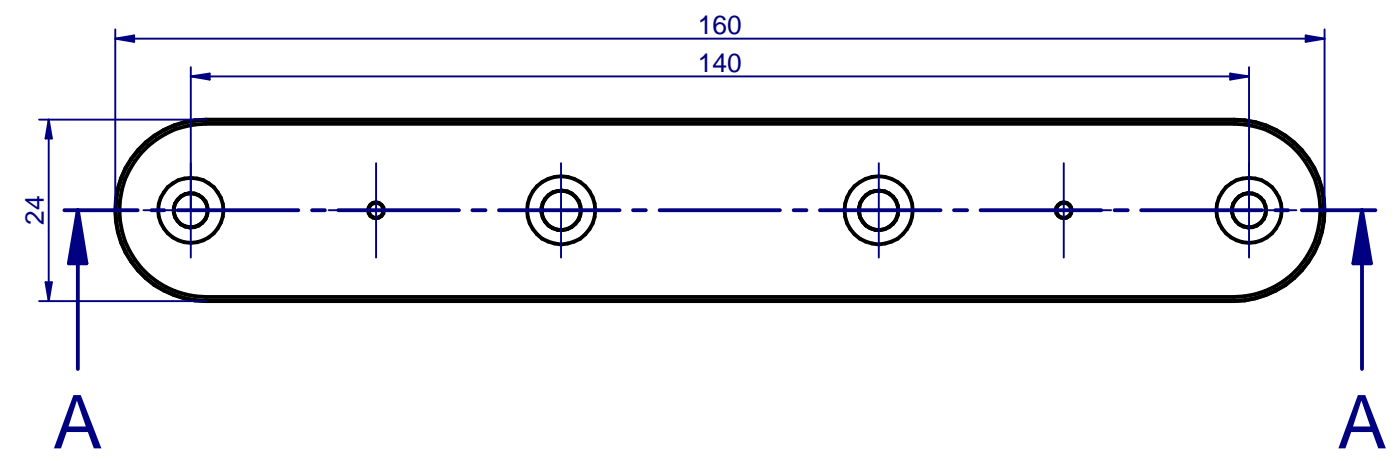
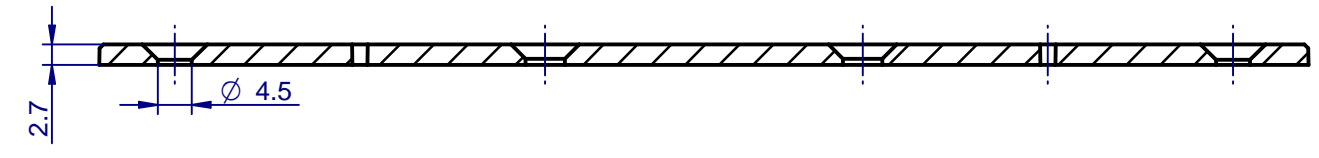


### Section A-A



**PACKAGING:**  
individual packaging in PE bag with pressure lock +  
print label, stick it on the bag and pack all in a collective box

Additional comments /  
Zusatzinformationen

Non-dimensioned radii /  
Nicht bemaßte Radien = R0.2

All visible surfaces have to be free of surface defects /  
Sämtliche Sichtflächen müssen frei von Oberflächendefekten sein

For missing dimensions please check 3D-data, 3D-data are generally binding /  
Fehlende Maße bitte den 3D-Daten entnehmen, 3D-Daten generell bindend

				toleration acc. to DIN 16742	edge ISO 13715 	Scale: 1:1	Weight: 0,010 kg
						Material: ASA   RAL7021	
Revision				Date	Name	Part name:	
				Drawn 19.01.2021	holzcl	ekey dLine controller mounting plate r24	
				Check. -	-		
				Rel. -	-		
				Project No.: P-00176		Drawing No.:	
				Part No.: 201212		0041_008	
Rev.	Description	Date	Author			Sheet: 1	
						of: 1	
						Size: A3	